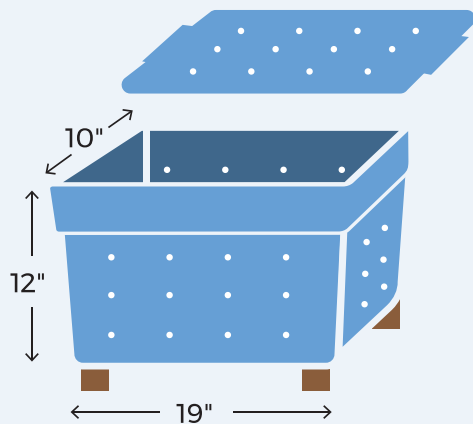
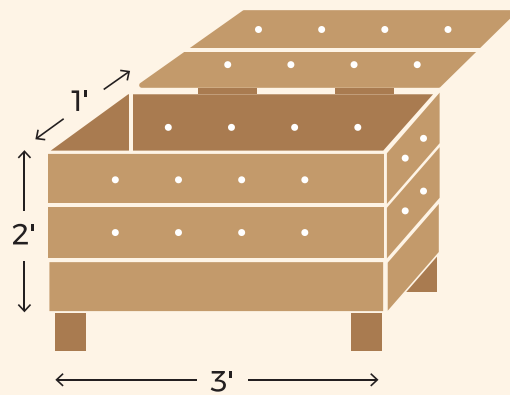


PLASTIC BIN



1. Drill 2-3 rows of 1/4" holes on all sides.
2. Raise bin off the surface so that air can circulate underneath.
3. Use a tray to catch any liquid that might go through the bottom.

WOOD BIN



1. Wooden bins breathe better than plastic, so you need at least two rows of 1/4" holes on all sides.
2. Raise bin off the surface so that air can circulate underneath.
3. A hinged lid, piece of burlap or black plastic can be used as a lid to keep the light out and moisture in.